

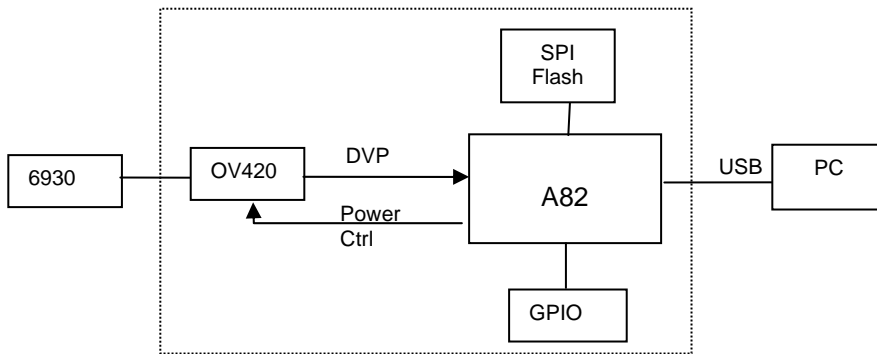
**Introduction:**

This module has been designed for interface muC30x series camera from COMedia, it is USB UVC compatible, good for those people has already had application software.

**Key Features**

- ✓ UVC compatible, no driver for windows OS
- ✓ Good for some kernel of Linux OS
- ✓ Output 400x400pixels at 30fps
- ✓ LED to indicate operation status
- ✓ Enter sleep mode when no data streaming
- ✓ Simple operation for AWB
- ✓ Mini USB connector
- ✓ Powered by USB port

**Block Diagram**



**GPIO and Keys Design**

1. Status LED to indicate the working status: power on, standby and streaming
2. Key 1: for AWB

**Electrical characteristics**

	Condition	Typ.	Unit
Operation voltage	Supply by PC USB port	5	V
Operation current	Video streaming	79	mA
Standby current	No streaming but plugged in PC	55	mA

**Mechanical Dimension**

